

Specification sheet LX 494

Parapet roof drainage systems

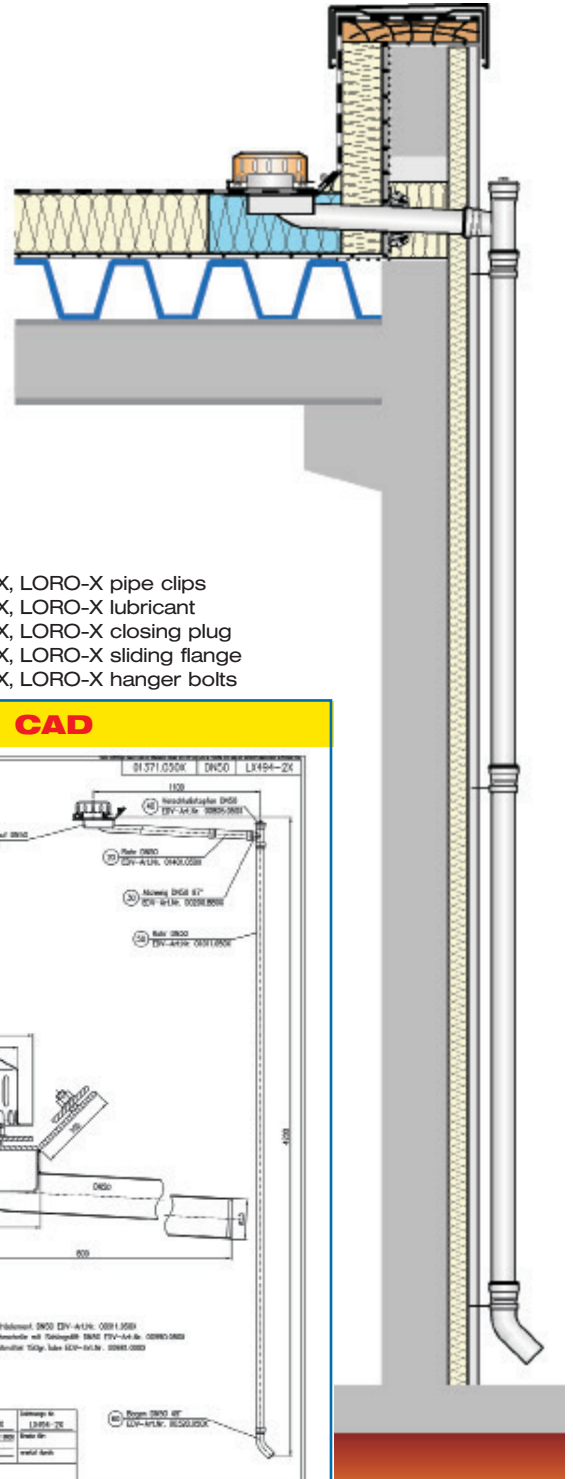
Series 79/88 RAINSTAR®

Emergency drainage

Gravity flow

Silent Power

Discharge rate:	7,6 l/sec
Water height:	75 mm
Roof penetration:	82 mm
Diameter:	DN 50
LX-Number:	LX 494
Weir height:	35 mm
Drain:	ventilated
Downpipe:	not ventilated
Downpipe height:	4,2 m
Drainage:	on floor
Flange form:	Clamping flange

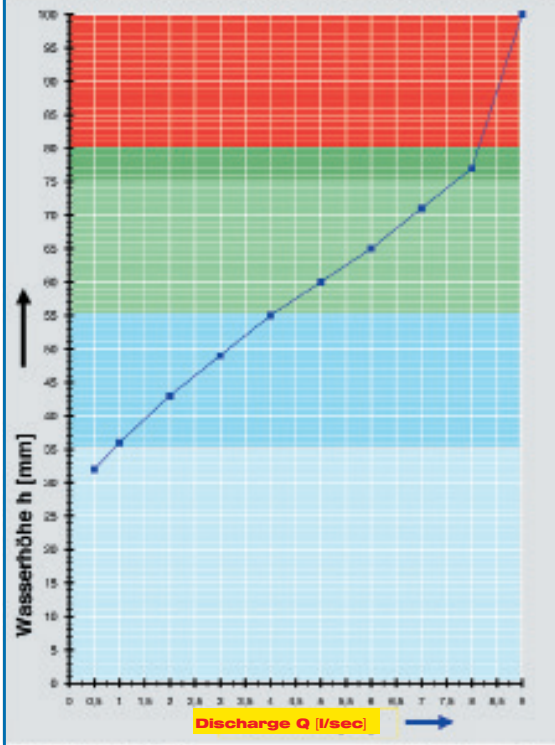


LX 494 Piece list

- 1 x Art.-No. choose drain on page two!
- 1 x Art.-No. 01401.050X, LORO-X pipe with one socket
- 1 x Art.-No. 00200.BBOX, LORO-X branch
- 1 x Art.-No. 01011.050X, LORO-X pipe with one socket
- 1 x Art.-No. 00320.050X, LORO-X bend
- 4 x Art.-No. 00911.050X, LORO-X sealing elements

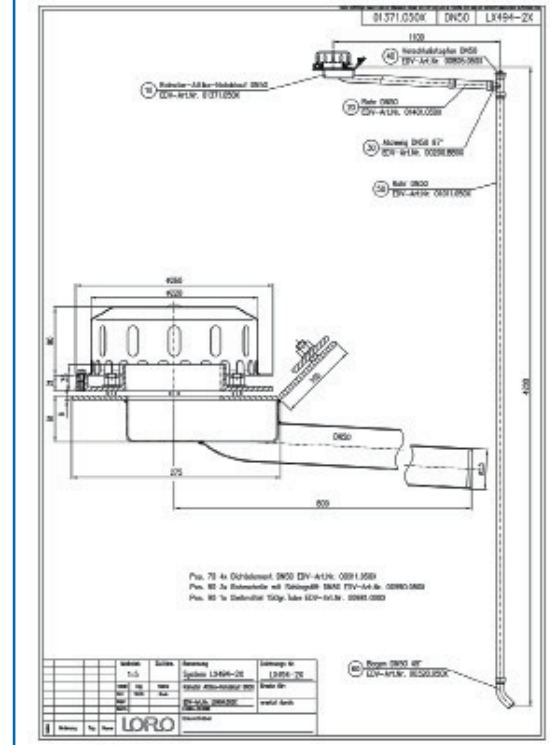
- 3 x Art.-No. 00973.050X, LORO-X pipe clips
- 1 x Art.-No. 00986.000X, LORO-X lubricant
- 1 x Art.-No. 00805.050X, LORO-X closing plug
- 1 x Art.-No. 13232.050X, LORO-X sliding flange
- 3 x Art.-No. 09603.200X, LORO-X hanger bolts

hQ - Head-Discharge curve



Systempower

CAD



Systemshape

Water height	mm	5	10	15	20	25	30	35	40	45	50	55	60	65	70	75
Discharge	l/sec							0,9	1,6	2,3	3,1	4,0	5,0	6,0	6,8	7,6
								Silent		Silent Power						

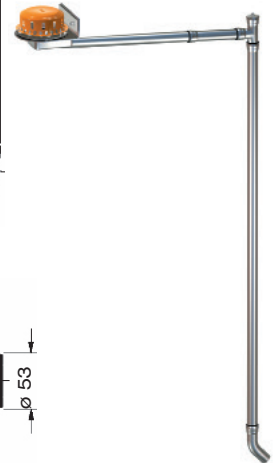
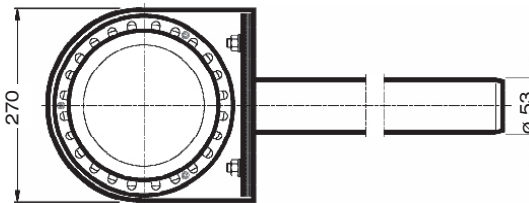
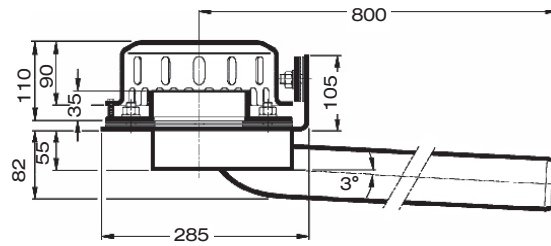
Choose drain for piece list on page one!

DN 50

LX494-1X

Drain Art.-No. 01373.050X
Weight: 5,7 kg

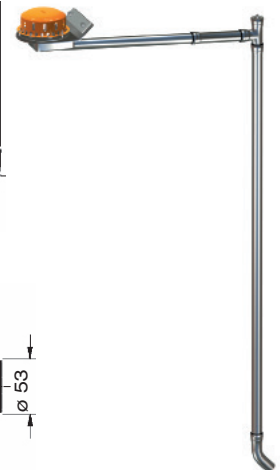
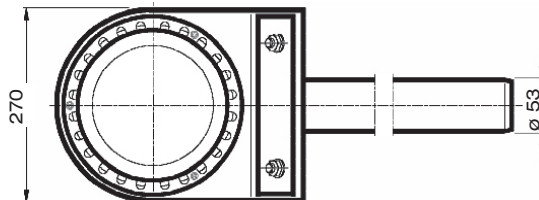
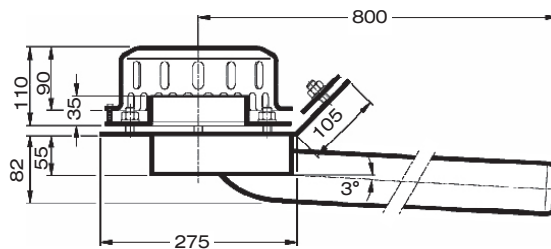
Series 79 (RB)
clamping flange 90°
for plastic roofing sheets



LX494-2X

Drain Art.-No. 01371.050X
Weight: 5,7 kg

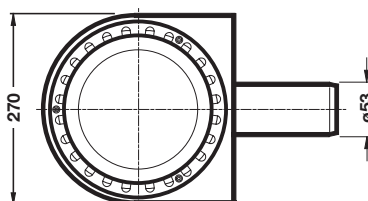
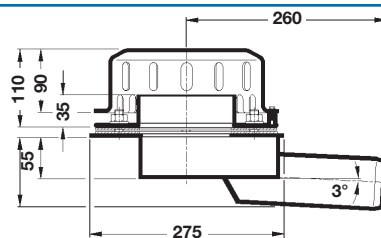
Series 79 (RB)
clamping flange 45°
for bituminous roofing sheets



LX494-4X

Drain Art.-No. 01391.050X
Weight: 4,0 kg

Series 88
clamping flange
without raised edge
for bituminous and plastic
roofing sheets



Heat tracing: Lorowerk recommends to check all drains and pipes with regard to their frost-sensibility. Where necessary, these parts should be upgraded with heat tracing.